

# SSD1722

17.2" Resizing LCD, 400 nits LED backlight, 1366x512 ultra wide aspect ratio 16:6

SSD1722 is an innovative ultra-wide, sunlight readable, LED backlight LCD display. It provides LCD panel with specific ratios for digital signage, public transportation, exhibition hall, department store, vending machine and industrial applications. Incorporating with A.D. control board and backlight design, it is high brightness and sunlight readable panel, can display high-quality video with energy-efficient.



## KEY FEATURES

- Resizing LCD
- Ultra Wide Screen (16 : 6)
- Sunlight Readable
- LED Backlight
- High Brightness 400 nits
- Low Power Consumption
- High Uniformity (90%)
- Wide Dimming
- Life Expectancy (70,000hrs)
- Slim Bezel

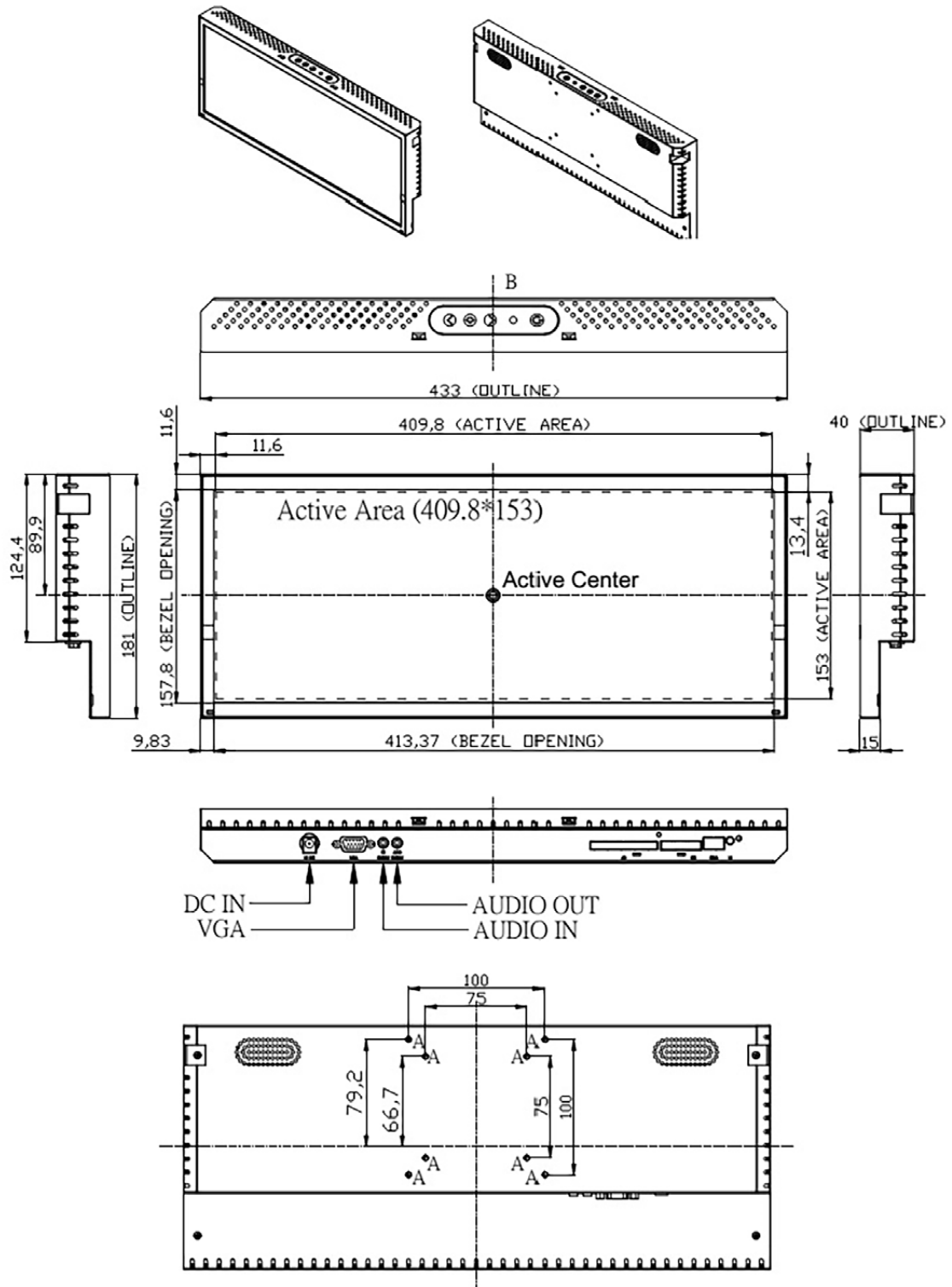
## SPECIFICATION

Model No.	SSD1722
Description	17.2" Resizing LCD, 400 nits LED backlight, 1366x512
Display Area (mm)	409.8 x 153 mm
Brightness	400 cd/m <sup>2</sup>
Resolution	1366 x 512
Aspect Ratio	16 : 6
Contrast Ratio	570:1
Pixel Pitch (mm)	0.3 x 0.3
Pixel Per Inch (PPI)	85
Viewing Angle	170°(H), 160°(V)
Color Saturation (NTSC)	82%
Display Colors	16.7M
Response Time (Typical)	5 ms
Sync	LVDS
Power Consumption	9.84W
Operating Temperature	0°C~50°C
Storage Temperature	-20°C~60°C
Dimensions (mm)	433 x 181 x 40
Weight (Net)	1.8Kg
LED Driving Board	LID17A
Control Board (Optional)	<input type="checkbox"/> AD6038GA
<input type="checkbox"/> AD6038GA	VGA + Audio
F/R Control Button	<input type="checkbox"/> 4 Key
<input type="checkbox"/> 4 Key	Power Switch, Menu, Select (+,-),
OSD Menu	Brightness, Contrast, H/V Position, Color, Phase, Clock...
Optional	<input type="checkbox"/> Touch Screen

\*Specifications are subject to change without notice. All brands or product names are trademarks or registered trademarks of their respective companies.

SSD= Panel+ LED Driving Board + Control Board + Housing

MECHANICAL DRAWING Unit: mm



NOTE :  
 A:8-M4\_USER\_HOLE\_MAX.DEPTH=4mm  
 B:OSD-4KEY