

SLD1268 V2

12.1" TFT LCD Display, LED Backlight, 1600nits,XGA(1024x768)

SLD1268 V2 is a 12.1" open frame TFT LCD panel, built-in 1600 nits high bright for sunlight readable LCD display, high transmittance color filter, high transmission polarizing plates, Low Power Consumption, suitable for kiosk, advertising, POS, marine, transportation, gaming, studio display, gas pump.



KEY FEATURES

- Ultra High Brightness
 - LED Backlight
 - High Shock & Vibration Resistance
 - Low Power Consumption
 - High Uniformity
 - Low EMI Noise
 - Wide Dimming
 - Life Expectancy
 - Smart Panel design.
- The thickness is only 36.2mm

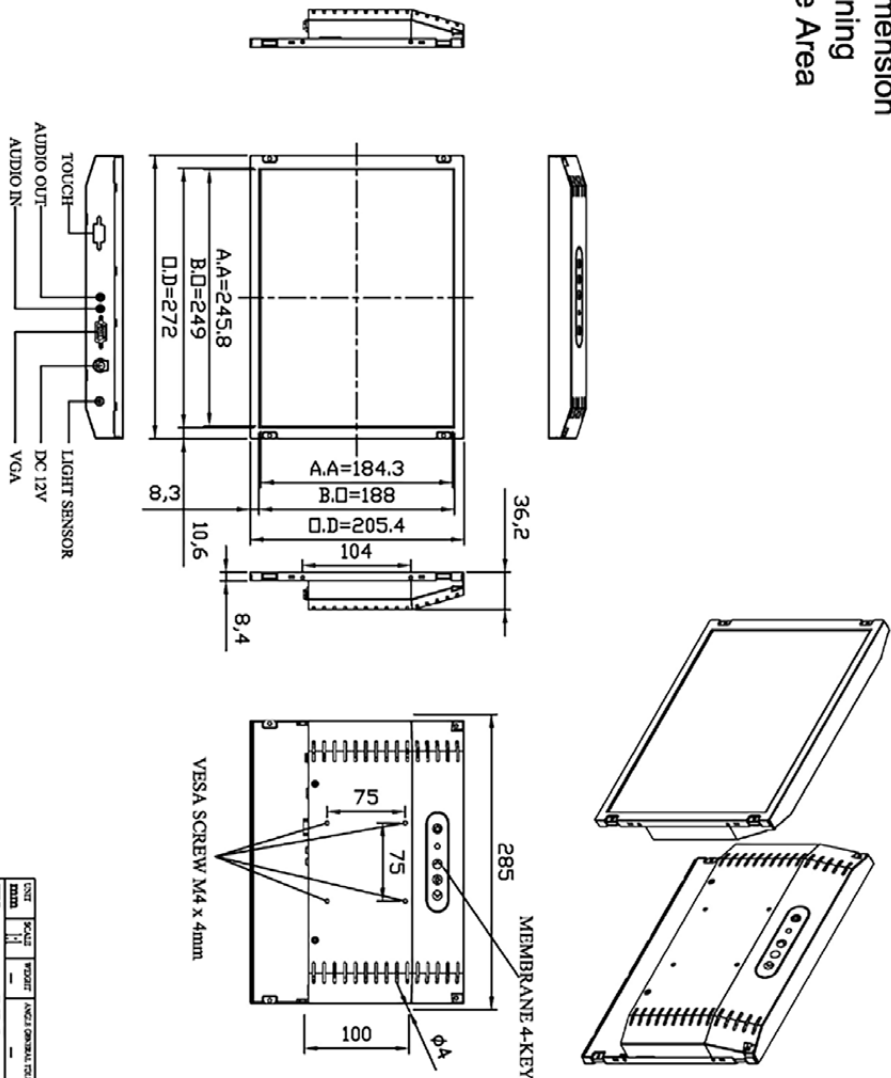
SPECIFICATIONS

Model No.	SLD1268 V2
Description	12.1" TFT LCD, LED Backlight 1600nits,SXGA(1024x768)
Display Area (mm)	245.76(H) x 184.32(V) mm
Brightness	1600 cd/m ²
Resolution	1024x768 (XGA)
Contrast Ratio	700 : 1
Pixel Pitch (mm)	0.24(H) x 0.24(V)
Viewing Angle	+80°~-80°(H), +80°~-80°(V)
Display Colors	262K/16.2M
Response Time (Typical)	35ms
Power Consumption	14.6W
Dimensions (mm)	272x205.4x36.2mm
Weight (Net)	1.2Kg
LED Driving Board	LID12A09
Control Board (Optional)	<input type="checkbox"/> AD6038GA <input type="checkbox"/> AD2662GDVA
<input type="checkbox"/> AD6038GA	VGA+Audio
<input type="checkbox"/> AD2662GDVA	VGA+CVBS+S-Video+Audio (Optional DVI-D)
F / R Control Button	<input type="checkbox"/> 4 Key
<input type="checkbox"/> 4 Key	Power Switch, Menu, Select (+,-),
OSD Menu	Brightness, Contrast, H/V Position, Color, Phase, Clock...
Optional	<input type="checkbox"/> AOT <input type="checkbox"/> Touch Screen

*Specifications are subject to change without notice. **All brands or product names are trademarks or registered trademarks of their respective companies.

SLD/SLO = Panel+ LED Driving Board + Control Board + Housing

Note :
 O.D : Outline Dimension
 B.O : Bezel Opening
 A.A : LCD Active Area



APPROVED	CHECKED	DISIGNED	LEVEL	GENERAL REFERENCE #	SELECT	LEVEL	DATE
		Dicky	4	0.01	0.2	0.2	2010/11/17
			4	0.01	0.2	0.3	
			4	0.2	0.6	0.5	
			200-200	0.2	0.6	0.5	
			200-200	0.2	0.6	0.5	
			200-200	0.2	0.6	0.5	

REV	ECN NO.	DESCRIPTION	SIGN	DATE

CNT	SCALE	PROJ	NGZL ORIGINAL DESIGN	3rd Aug 2010	ORIGINAL WORK
TTT2					SLD1268
DRAWING NO: 09047301 SLD1268					
DESCRIPTION					
LitMax					
LIMAX					
Escondo Inc.					
SIZE	M4	HT	1.1	REV	V0